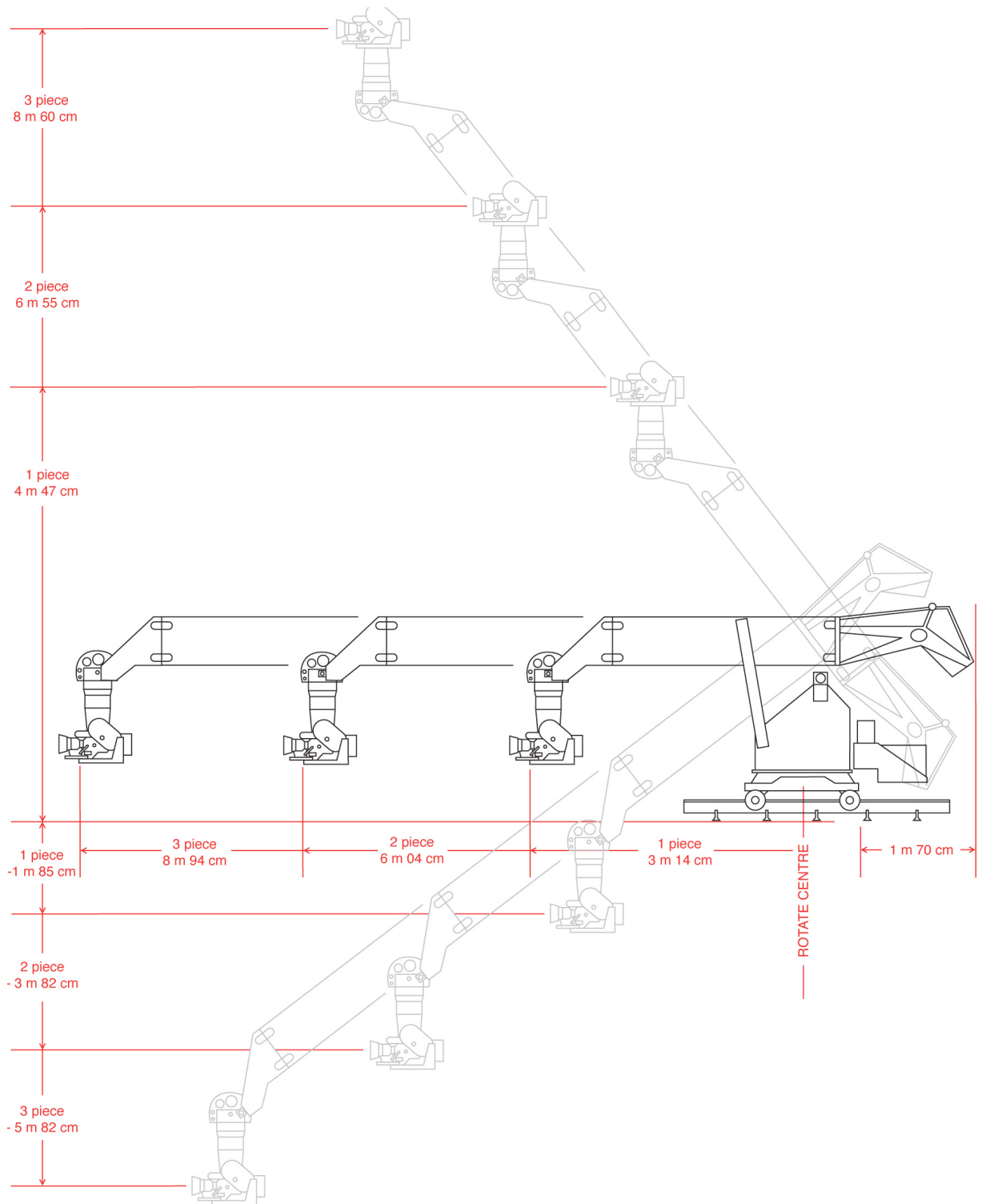
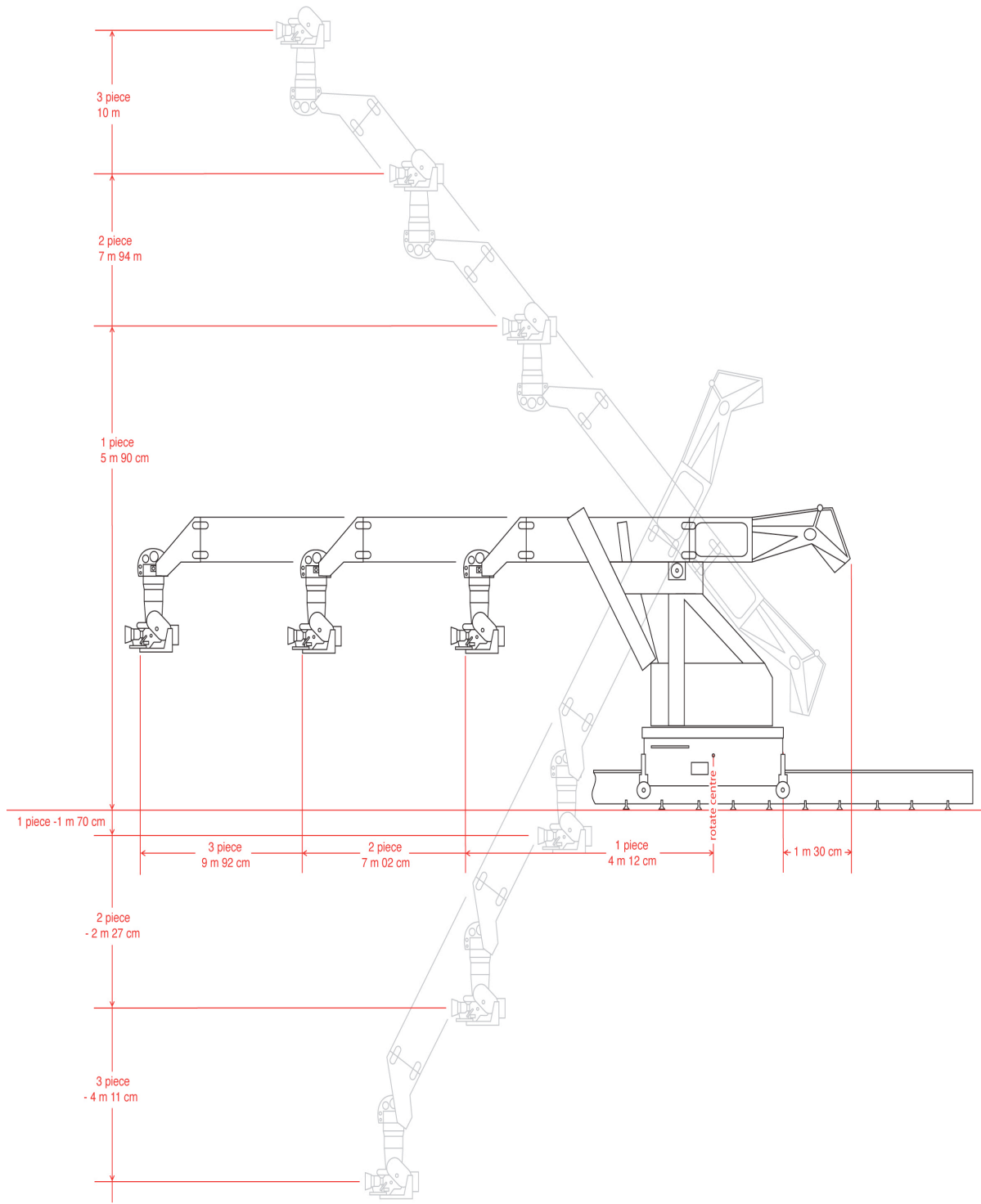


# EIGER CRANE TECHNICAL SPECIFICATIONS

## EIGER CRANE ON THE MILO



# EIGER CRANE ON THE CYCLOPS



### **MILO + EIGER ARM OPERATING RANGES**

	<b><u>MAX HEIGHT</u></b>	<b><u>MINIMUM HEIGHT</u></b>
1 SECTION	14' 6" (447cm)	-6' 0" (-185cm)
2 SECTIONS	21' 5" (655cm)	-12' 5" (-382cm)
3 SECTIONS	28' 2" (860cm)	-19' 0" (-582cm)

#### **MAX REACH FROM ROTATE CENTRE (HEAD UNDERSLUNG)**

1 SECTION	10' 3.5" (314cm)
2 SECTIONS	19' 10" (604cm)
3 SECTIONS	29' 3" (894cm)

---

### **CYCLOPS + EIGER ARM OPERATING RANGES**

	<b><u>MAX HEIGHT</u></b>	<b><u>MINIMUM HEIGHT</u></b>
1 SECTION	19' 2" (590cm)	-5' 7" (-170cm)
2 SECTIONS	26' 0" (794cm)	-7' 5" (-227cm)
3 SECTIONS	32' 7" (1000cm)	-13' 5" (-411cm)

#### **MAX REACH FROM ROTATE CENTRE (HEAD UNDERSLUNG)**

1 SECTION	13' 6" (412cm)
2 SECTIONS	23' 0" (702cm)
3 SECTIONS	32' 6" (992cm)

---

### **EIGER CRANE WEIGHTS**

WEIGHT CRADLE	102 Kg
MAIN ARM	129 Kg
SECTION 2	72 Kg
SECTION 3	72 Kg
NOSE	43 Kg
SPACER (CYCLOPS ONLY)	55 Kg

---

**COUNTERWEIGHTS REQUIRED****MILO****CYCLOPS**

1 PIECE + NOSE+ HEAD	216 KG	162 Kg
2 PIECE + NOSE + HEAD	594 Kg	360Kg
3 PIECE + NOSE + HEAD	1134 Kg	756 Kg

---

**EIGER ARM SIZE AND WEIGHT CRADLE CLEARANCE**

EACH ARM SECTION	560mm x 560mm x 2900mm
SPACER	560mm x 560mm x700mm
CLEARANCE REQUIRED FOR WEIGHT CRADLE FROM DOLLY BASE (MILO)	1m 70cm
CLEARANCE REQUIRED FOR WEIGHT CRADLE FROM DOLLY BASE (CYCLOPS)	1m 30cm

---

ALL SPECIFICATIONS ARE FOR GUIDE USE ONLY AND ARE SUBJECT TO CHANGE WITHOUT NOTICE.