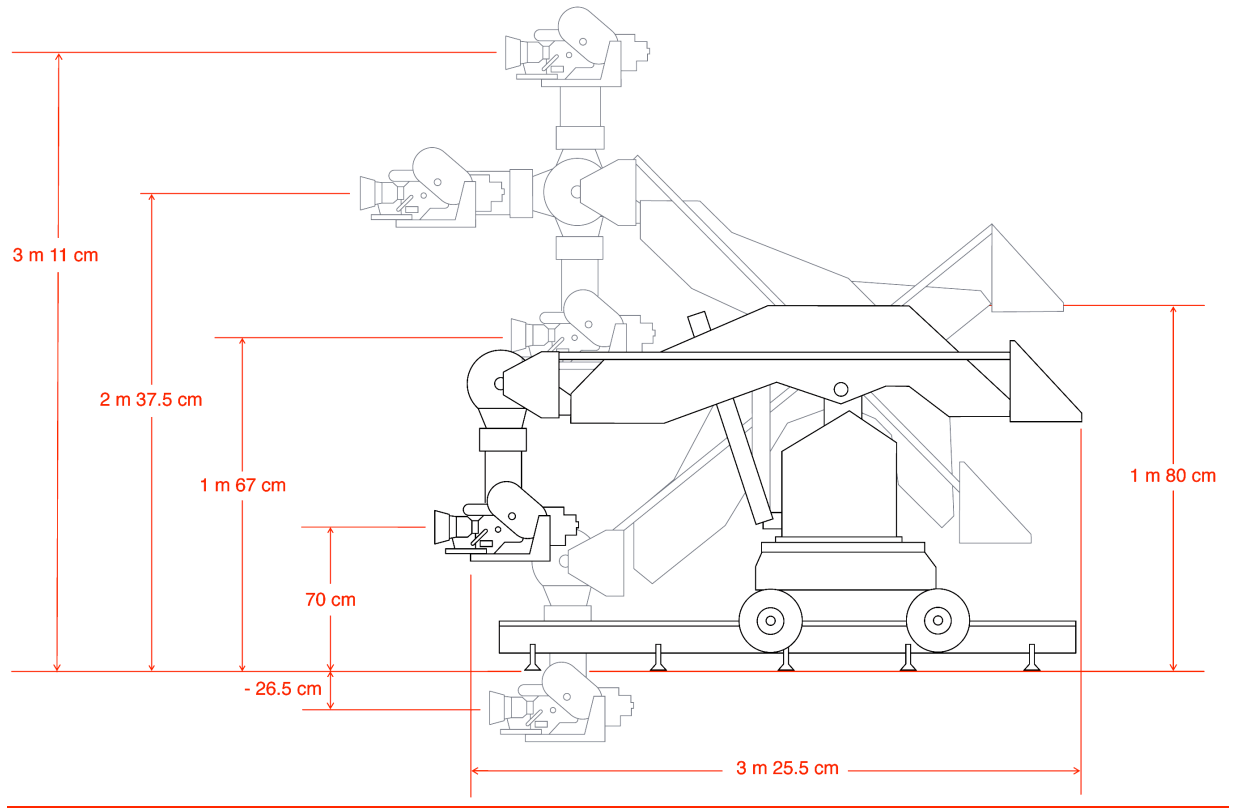


JUNO TECHNICAL SPECIFICATIONS



OPERATING RANGES

UNDERSLUNG

MAX HEIGHT

5' 6" (167cm)

MINIMUM HEIGHT

-10.5" (-26.5cm)

90 DEGREES

7' 9.5" (237.5cm)

21" (53cm)

OVERSLUNG

10' 2.5" (311cm)

4' 8.5" (143.5cm)

REACHES

MAX REACH FROM ROTATE CENTRE (HEAD UNDERSLUNG)

5' 6" (167.5cm)

MAX REACH FROM ROTATE CENTRE (HEAD AT 90 DEGREES)

8' 8" (264cm)

CLEARANCES

MINIMUM RIG WIDTH FOR DOOR CLEARANCE (NOT RAIL)

3' 8" (111cm)

REAR END ROTATION CLEARANCE FOR WEIGHT BUCKET FROM RAIL EDGE

2' 9" (84cm)

CLEARANCE REQUIRED FOR RUN UPS AND RIG FROM RAIL END

12' 0" (365cm)

AMOUNT OF TRAVEL

TRACK	AS REQUIRED IN 3m LENGTHS
ROTATE	540 DEGREES
LIFT	+/- 45 DEGREES
PAN	UNLIMITED
TILT	280 DEGREES
ROLL	UNLIMITED
FOCUS	AS REQUIRED
ZOOM	AS REQUIRED

MAXIMUM AXIS SPEEDS (guide only)

TRACK	UP TO 2m/ sec
ROTATE	UP TO 1m / sec (at the camera)
LIFT	UP TO 1m / sec (at the camera)
PAN	UP TO 120 deg / sec
TILT	UP TO 120 deg / sec
ROLL	UP TO 120 deg / sec

SIZES

MINIMUM RIG LENGTH (UNDERSLUNG)	10' 5" (325.5cm)
MINIMUM RIG HEIGHT (NOT ON RAIL)	5' 7" (170cm)
MINIMUM RIG HEIGHT (ON RAIL)	5' 11" (180cm)

WEIGHTS AND RAILS

APPROX TOTAL RIG WEIGHT (NO RAIL)	440Kgs
PC AND OPERATING DESK	105Kg
EACH RAIL LENGTH	9' 10" (300cm)
RAIL WIDTH	3' 1" (94cm)
RAIL HEIGHT	8" (20.4cm)
EACH 3m RAIL WEIGHT	80Kgs

POWER REQUIREMENTS

MAINS:	230V AC Single phase (50 – 60 Hz) from 2 x domestic 13 Amp sockets or equivalent.
GENERATOR:	6.5 KVA (minimum) earthed to "TN-S" standard (earth and neutral connected together at source and a suitable earth spike driven into the ground) (for location shooting)