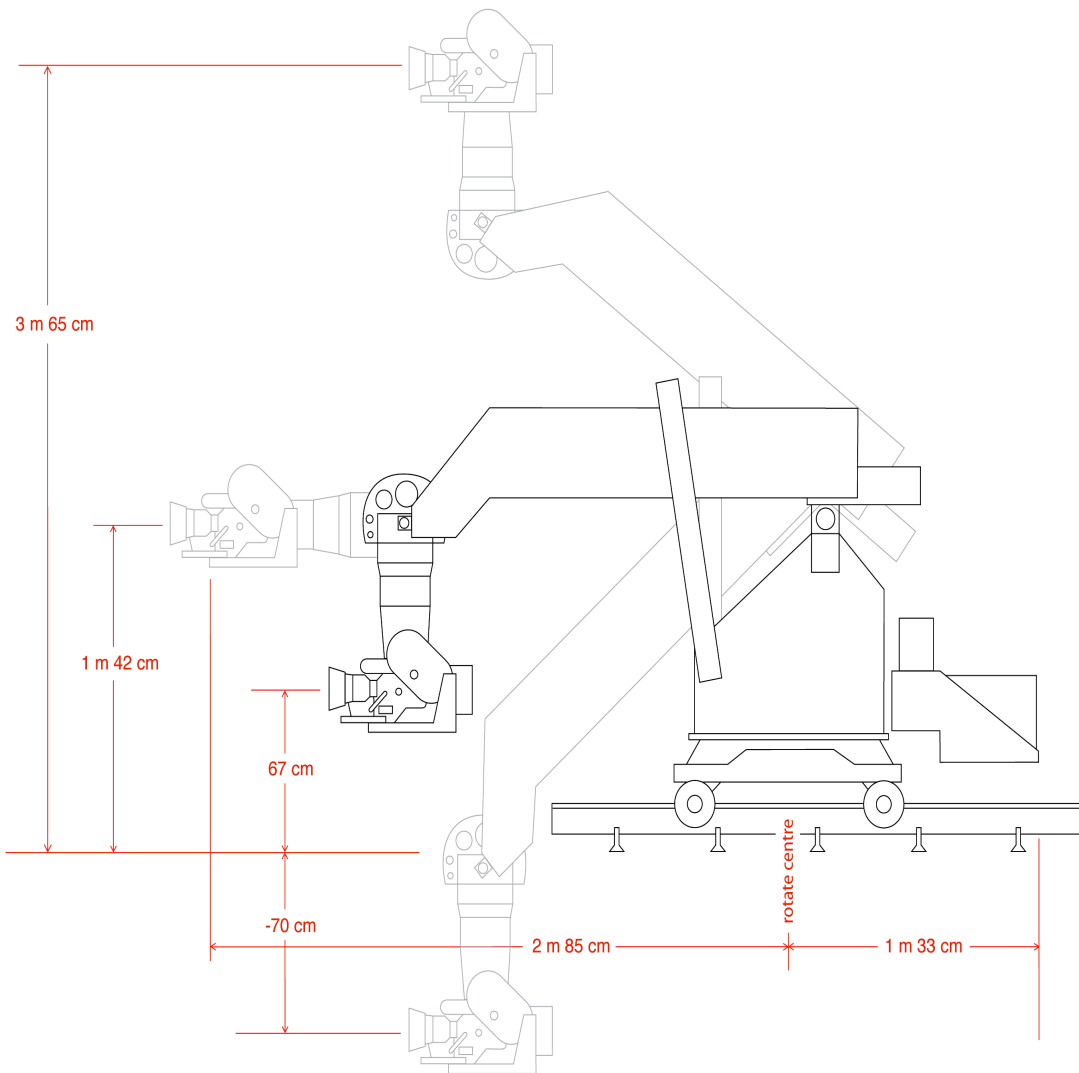


MILO TECHNICAL SPECIFICATIONS



OPERATING RANGES

UNDERSLUNG

MAX HEIGHT

6' 8" (205cm)

MINIMUM HEIGHT

-2' 3" (-70cm)

90 DEGREES

9' 4" (285cm)

4" (10cm)

OVERSLUNG

12' 0" (365cm)

4' 8" (143cm)

REACHES

MAX REACH FROM ROTATE CENTRE

(HEAD UNDERSLUNG)

8' 1" (247cm)

MAX REACH FROM ROTATE CENTRE

(HEAD AT 90 DEGREES)

9' 4" (285cm)

CLEARANCES

MINIMUM RIG WIDTH FOR DOOR CLEARANCE (NOT ON RAIL)	4' 5" (135cm)
REAR END ROTATION CLEARANCE FOR COW FROM RAIL EDGE	2' 9" (85cm)
CLEARANCE REQUIRED FOR RUN UPS AND RIG FROM RAIL END	14' 3" (435cm)

AMOUNT OF TRAVEL

TRACK	AS REQUIRED IN 3m LENGTHS
ROTATE	UNLIMITED
LIFT	+/- 45 DEGREES
EXTEND	1m
ANGLE	250 DEGREES
PAN	UNLIMITED
TILT	280 DEGREES
ROLL	UNLIMITED
FOCUS	AS REQUIRED
ZOOM	AS REQUIRED

MAXIMUM AXIS SPEEDS: (guide only)

TRACK	UP TO 2m / sec
ROTATE	UP TO 23 deg / sec
LIFT	UP TO 30 deg / sec
EXTEND	UP TO 0.5m / sec
ANGLE	UP TO 20 deg / sec
PAN	UP TO 120 deg / sec
TILT	UP TO 120 deg / sec
ROLL	UP TO 120 deg / sec

SIZES:

MINIMUM RIG LENGTH	10' 4" (315cm)
MINIMUM RIG HEIGHT (NOT ON RAIL)	6' 10.5" (210cm)
MINIMUM RIG HEIGHT (ON RAIL)	7' 2.5" (220cm)

WEIGHTS AND RAILS:

APPROX TOTAL RIG WEIGHT (NO RAIL)	690Kgs
PC AND OPERATING DESK	30Kg
EACH RAIL LENGTH	9' 10" (300cm)
RAIL WIDTH	3' 1" (94cm)
RAIL HEIGHT	8" (20.4cm)

EACH 3m RAIL WEIGHT

80kg

POWER REQUIREMENTS:

MAINS: 230V AC Single phase (50 – 60 Hz) from 2 x domestic 13 Amp sockets or equivalent.

GENERATOR: 6.5 KVA (minimum) earthed to “TN-S” standard (earth and neutral connected together at source and a suitable earth spike driven into the ground) (for location shooting)

ALL SPECIFICATIONS ARE FOR GUIDE USE ONLY AND ARE SUBJECT TO CHANGE WITHOUT NOTICE.