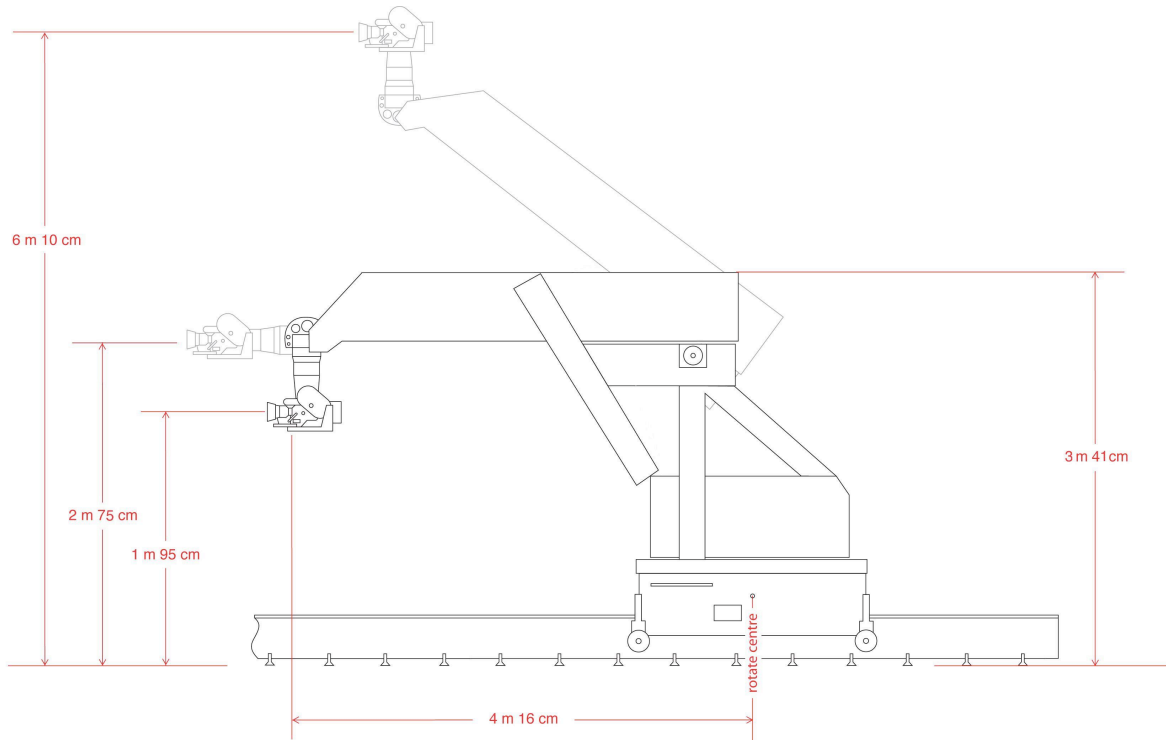


CYCLOPS TECHNICAL SPECIFICATIONS



OPERATING RANGES

MAX HEIGHT

MINIMUM HEIGHT

UNDERSLUNG

14' 5" (4m 40cm)

-7" (-20cm)

90 DEGREES

17 '2" (5m 24cm)

1' 11" (60cm)

OVERSLUNG

20' 0" (610 cm)

6' 0" (1m 83cm)

REACHES

MAX REACH FROM ROTATE CENTRE (HEAD UNDERSLUNG)

13' 7" (416cm)

MAX REACH FROM ROTATE CENTRE (HEAD AT 90 DEGREES)

16' 4" (500cm)

MAX REACH AT FULL HEIGHT FROM ROTATE CENTRE (HEAD UNDERSLUNG)

11' 1" (340cm)

MAX REACH AT FULL HEIGHT FROM ROTATE CENTRE (HEAD AT 90 DEGREES)

13' 11" (425cm)

CLEARANCES

CLEARANCE REQUIRED FOR MOVING RIG ON TO RAIL END	14' 10" (4m 50cm)
MINIMUM WIDTH OF RIG	6' 1" (185cm)

SIZES

MAX OVERALL RIG LENGTH (HEAD AT 90 DEGREES)	17' 0" (5m 20cm)
MINIMUM RIG LENGTH (UNDERSLUNG)	14' 10" (4m 50cm)
MINIMUM RIG HEIGHT (NOT ON RAIL)	11' 0" (335 cm)
MINIMUM RIG HEIGHT (ON RAIL)	11' 2.5" (341 cm)
UNDERSLUNG CAMERA HEIGHT FROM FLOOR AT ZERO (ON RAIL)	6' 4" (1m 95 cm)
90 DEGREE CAMERA HEIGHT FROM FLOOR AT ZERO (ON RAIL)	9' 0" (2m 75cm)

MAXIMUM AXIS SPEEDS: (guide only)

TRACK	UP TO 3.5m/ sec
ROTATE	UP TO 22 deg / sec
LIFT	UP TO 40 deg / sec
EXTEND	UP TO 1.1m / sec
ANGLE	UP TO 35 deg / sec
PAN	UP TO 155 deg / sec
TILT	UP TO 125 deg / sec
ROLL	UP TO 135 deg / sec

AMOUNT OF TRAVEL:

TRACK	18m OR 12m LENGTHS
ROTATE	UNLIMITED
LIFT	+/- 45 DEGREES
EXTEND	1.8m
ANGLE	250 DEGREES
PAN	UNLIMITED
TILT	270 DEGREES
ROLL	UNLIMITED
FOCUS	AS REQUIRED
ZOOM	AS REQUIRED

WEIGHTS:

CYCLOPS RIG	2500 Kg
40' (12m) RAIL	2780 Kg
60' (18m) RAIL	3960 Kg
PC AND OPERATING DESK	30 Kg

POWER REQUIREMENTS:

MAINS 1 X 63Amp 3 Phase + E + N 415V AC (50 – 60 Hz)
1 X 25mm (minimum) earth Safety lead (recommended)

CYCLOPS RIG ONLY:

= 2.5 TONNES
SPREAD OVER 4 WHEEL = 625 Kg PER WHEEL
LOAD AREA = 2 INCHES x 2 INCHES

CYCLOPS 40' (12m) RAIL ON FLOOR ONLY:

= 2.78 TONNES
SPREAD OVER 32 JACKING POINTS
(16 ON EACH SIDE) = 86.875KG PER POINT
EACH JACKING POINT = 50mm diameter

COMBINED RIG + 40' RAIL WEIGHT

= 5.28 TONNES
SPREAD OVER 32 JACKING FEET
(16 ON EACH SIDE) = 165 Kg PER POINT
EACH JACKING POINT = 50mm diameter

CYCLOPS ATTACHED TO 40' (12m) RAIL WHILE LIFTING RAIL FOR MOVING AROUND STUDIO

= 5.28 TONNES
SPREAD OVER 4 WHEELS = 1320 Kg PER WHEEL
LOAD AREA = 2 INCHES X 2 INCHES

CYCLOPS 60' (18m) RAIL ON FLOOR ONLY:

= 3.96 TONNES

SPREAD OVER 48 JACKING POINTS
(24 ON EACH SIDE) = 82.5 Kg PER POINT
EACH JACKING POINT = 50mm diameter